

OF TIMBER QUALITY PRODUCTS

## HOW TO MEASURE WINDOW CANOPIES

Store: \_\_\_\_\_

Phone No: (0\_\_\_\_) \_\_\_\_\_

Contact: \_\_\_\_\_

Fax No. (0\_\_\_\_) \_\_\_\_\_

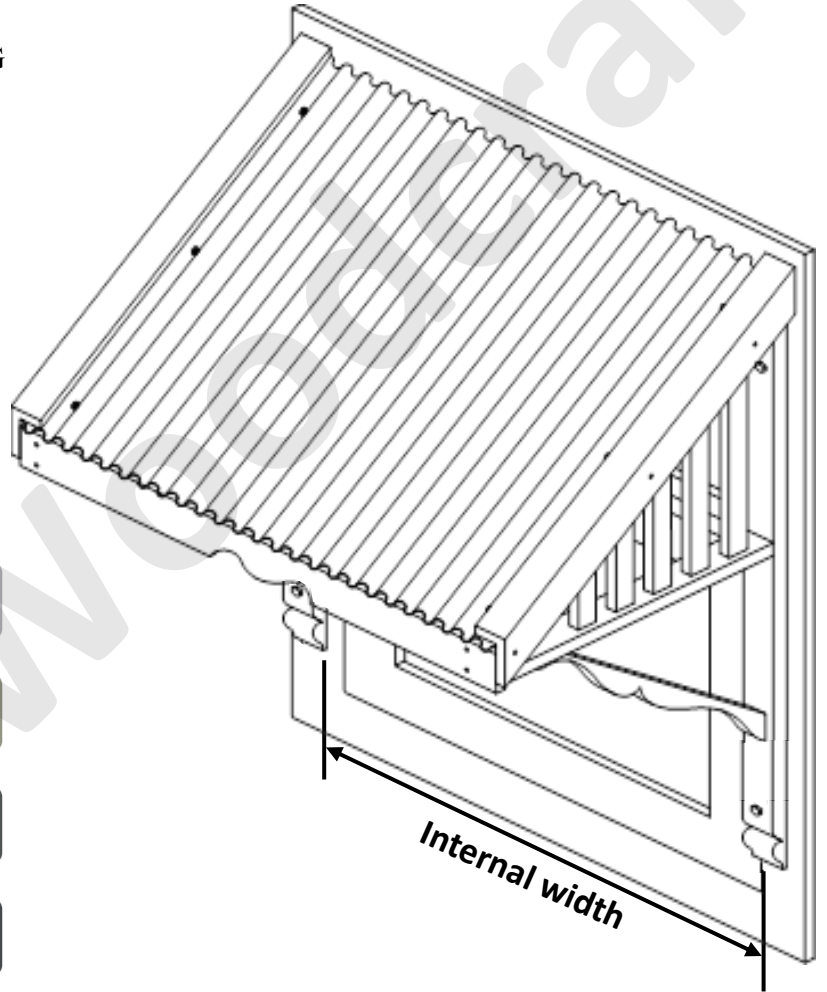
To order a Window Canopy Kit:

STEP 1. Measure the window frame INCLUDING ARCHITRAVE width to order the Window Canopy Kit.

STEP 3. Provide us the INTERNAL WIDTH in the form below.

STEP 4. Choose the colour of the steel sheets from Mini-Orb Zincalume or Colourbond

STEP 5. If Colourbond, Choose the colour of your preference from the following list:



### EXAMPLE:

ENDS ONLY

KIT

Quantity: 1 CODE: WC1

For kits only:

Internal Width: 1200 mm

Mini-Orb Zincalume

Colourbond Colour Deep Ocean

### TO ORDER, FILL IN BELOW

ENDS ONLY

KIT

Quantity: \_\_\_\_\_ CODE: \_\_\_\_\_

Width: \_\_\_\_\_ mm

Mini-Orb Zincalume

Colourbond Colour \_\_\_\_\_

**Please note that it is your responsibility to check all sizes are correct.**