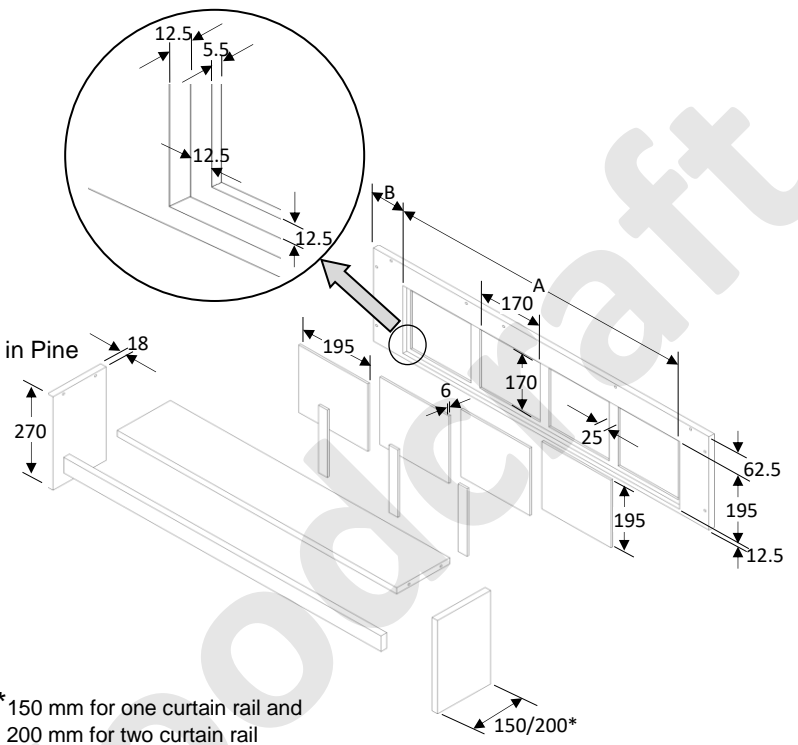


COMPONENTS INCLUDED

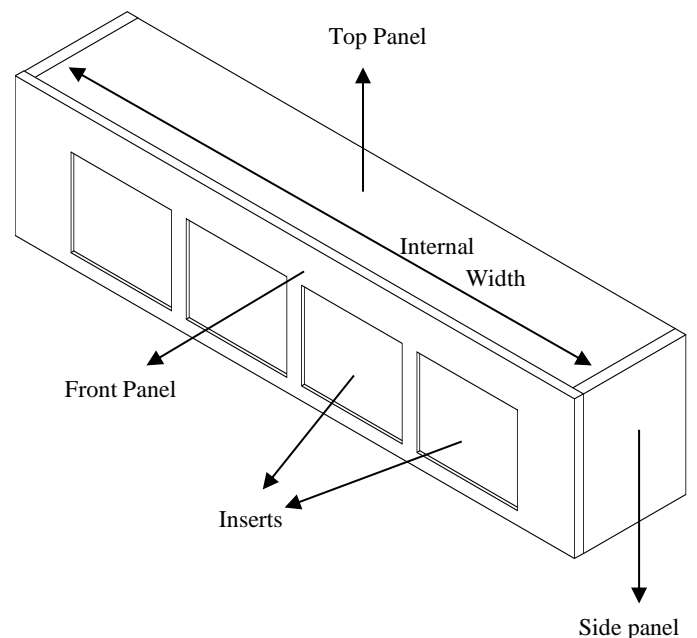
- **Frontal Panel:** Panel in 18 mm MDF, 270 high x desired length+46 mm
- **Top panel:** Panel in 19 mm pine, Desired length x 150mm or 200 mm
- **Two side panels:** Panels in 18 mm MDF, 270 x 150 mm or 270 x 200 mm
- **Back inserts:** 195 x 195 x 6 mm plain squares in MDF
- **Installation Batten:** 19 x 42 mm x desired length batten in Pine
- **Join covers:** 195 x 25 x 18 mm slats
- **Fluted Dowels:** 6 x 32 mm dowels
- **Screws:** Batten 8G x 35 mm


We highly recommend:

- The installation must be performed by two or three people since the pelmet may be heavy and it may be installed in high places difficult to reach.
- The assistance of a qualified tradesperson to perform the installation. Pelmets must be fixed to the wall securely.
- For better results, paint the pelmets before assembling and installing

DEFINITIONS

- **FRONT PANEL:** Panel that have square holes where inserts are placed and it is the most visible part of the pelmet
- **INSERTS:** Squares in 6 mm MDF to place on the front panel. There are two types: Back inserts are included in the kit and are plain MDF squares. Patterned squares have art designs and are sold separately.
- **BATTEN:** Piece secured to the wall used to attach Pelmet to the wall.
- **JOIN COVERS:** Small pieces that may be used to cover the joints of the inserts from the inside.
- **INTERNAL WIDTH:** The overall length of the internal space where the curtain rail is fitted.



TOOLS NEEDED TO PERFORM INSTALLATION:

- Patterned Inserts (Optional)
- MDF/ PCV Glue
- 12 mm Standard length Drill bit
- 10 mm Standard length Drill bit
- 10 mm Hex head bit
- No 2 Phillips head bit
- 10 mm socket bit
- One person to assist

STEPS:

Before you start with the installation, double check sizes are suitable for your application

TO ASSEMBLY PELMET

1. Paint the pelmet parts before assembling and installing.
2. Lay down the **front panel** facing 12.5 mm rebate upwards and glue **patterned inserts** (If available). There is the option to glue **back inserts** onto the back of the patterned ones according to your taste. Wait one hour to let the glue to dry properly. See **Diagram 1**.

It is also optional to glue **the join covers** over the joints to give the back same appearance as the front.
3. Attach and glue the top panel to the two side ones together inserting and gluing the dowels into the 6 mm holes. See **Diagram 2**.
4. Attach the piece assembled in step 3 to the front pattern inserting and gluing the dowels into the 6 mm holes. See **Diagram 3**.

TO INSTAL PELMET

5. Drill 12 mm holes on the wall evenly distributed horizontally on top of the curtain to fasten batten to the wall. See **Diagram 5**.
6. Fasten the pelmet to the wall by screwing the top to the batten using 8G x 35 mm screws.

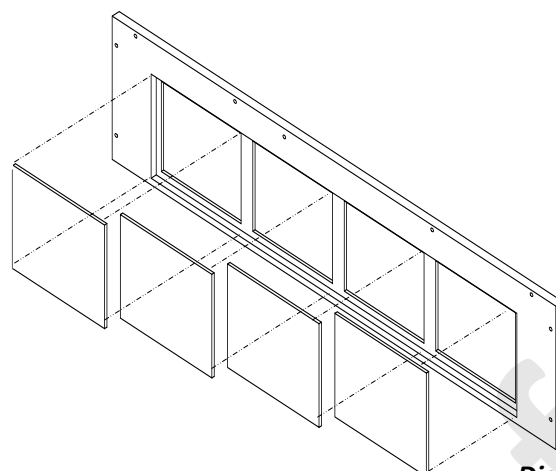


Diagram 1

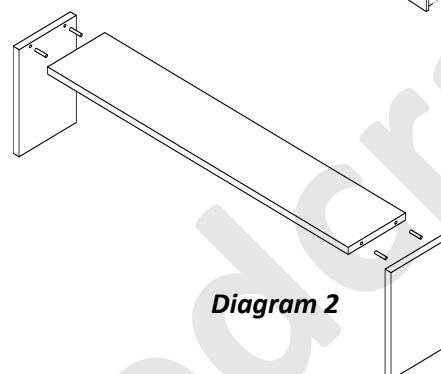


Diagram 2

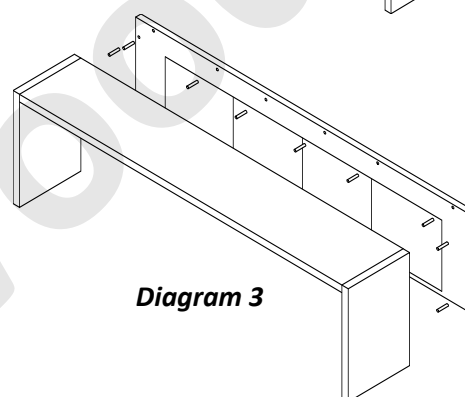


Diagram 3

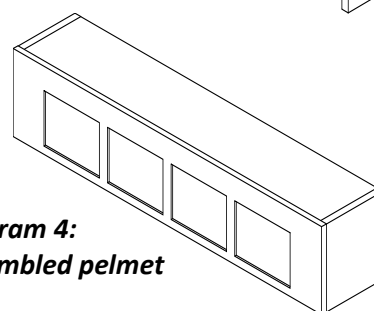


Diagram 4:
Assembled pelmet

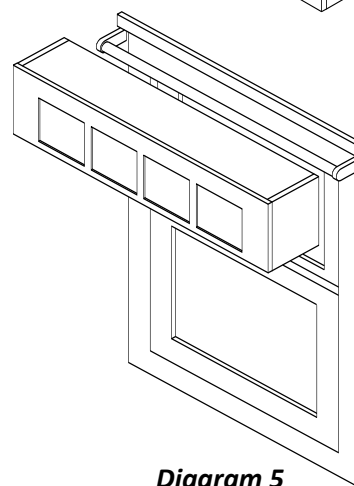


Diagram 5