

STAIR CARE

We highly recommend on all surfaces for maximum service life:

- Paint the product on the SIX SIDES including end grain and housing joints
- When painting, use Oil Based Primer
- When staining, use Semi-Translucent Oil Based Stain
- Refer to Painting Instructions on PAGE 5 on the brochure

Brochure can be found on our website www.karemwoodcraft.com.au

TOOLS NEEDED TO PERFORM ASSEMBLY:

- Treads (Included only in Stair Kits)
- Drill
- 5 mm Hex head bit
- 6 mm drill bit for sawtooth installation

STEPS:

1. Work out the Overall width of the stairs you need. See *Diagram 1*.

If Kit has been purchased, go to step 3.

2. Get the treads from your preferred local timber outlet. Beware that all treads have to be **45 mm thick** for CCA Pine or **42 mm** for MERBAU by at least **240 mm deep**.

3. Cut the treads to size (See *Diagram 2*). To find out how wide the treads should be, subtract from the overall width:
 - In **CCA Pine**: -54 mm (Example in diagram 1 and 2)
 - In **MERBAU**: -48 mm

*** RETREAT ALL HOUSING JOINTS AND ENDS OF TREADS PRIOR TO ASSEMBLY, CONSIDERED A MUST IN HUMID MOISTURE ENVIROMENTS.**

4. Once the treads are ready, insert treads into the rebate of the stringer (See *Diagram 3*) pushing tread forward up to the top edge of rebate of stringer. Hold firmly in position.

5. Using a drill with the 5 mm Hex head bit; insert all screws provided into the pre-drilled holes to secure the tread to the stringer (See *Diagram 4*).

STEPS FOR SAWTOOTH INSTALLATION WHEN STAIRS IS OVER 1200 mm WIDE

6. Pre-drill two 6 mm holes in each tread dividing Equally (=) the width. (See *Diagram 5*)
7. Place the sawtooth supports underneath the stairs and insert screws supplied using the drill with the 6 mm Hex head bit. Screws need to be below the tread surface to avoid tripping.

Diagram 1

Overall Width
Eg. 1000 mm in LOSP Pine

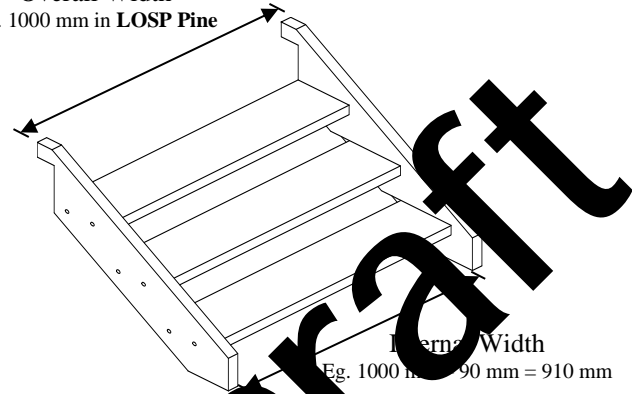


Diagram 2

Head Width
Eg. 1000 mm - 54 mm = 946 mm

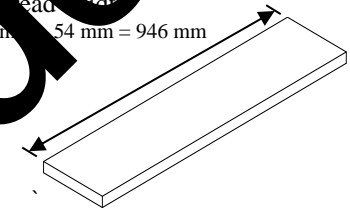


Diagram 3

No gaps should

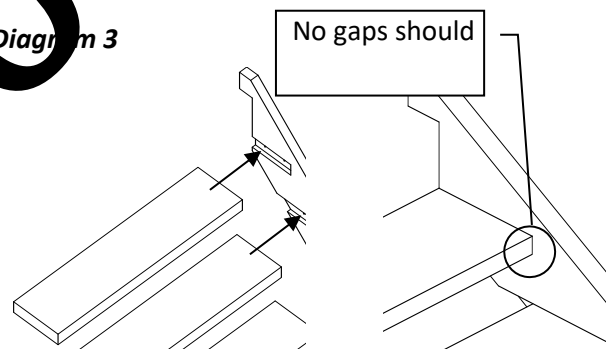


Diagram 4

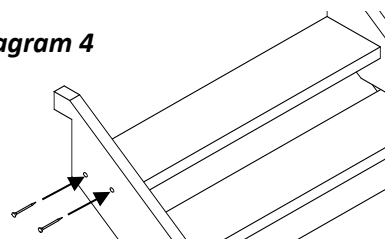


Diagram 5

