



## TOOLS NEEDED TO PERFORM INSTALLATION:

- Patterned Inserts (Optional)
- MDF/ PCV Glue
- 12 mm Standard length Drill bit
- 10 mm Standard length Drill bit
- 10 mm Hex head bit
- No 2 Phillips head bit
- 10 mm socket bit
- One person to assist

## STEPS:

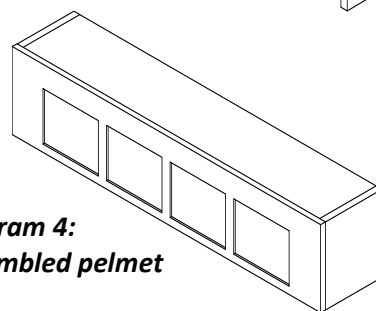
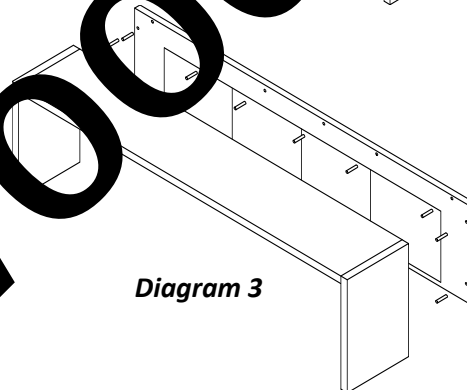
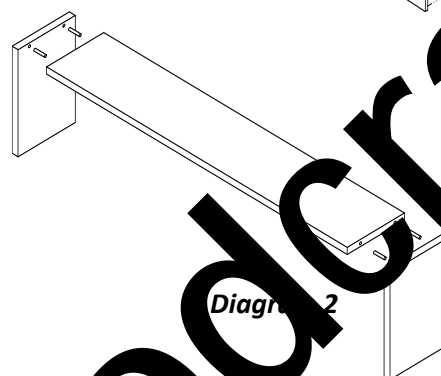
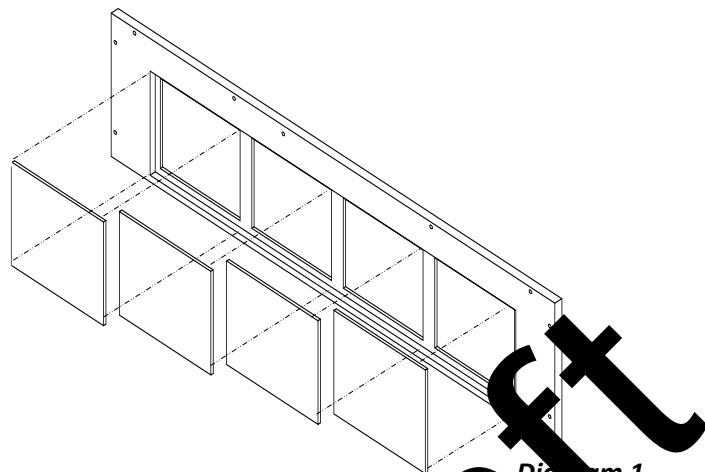
Before you start with the installation, double check sizes are suitable for your application

### TO ASSEMBLY PELMET

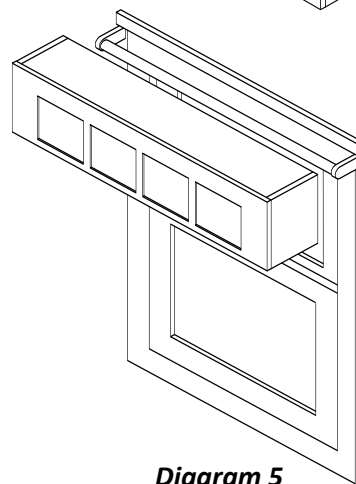
1. Paint the pelmet parts before assembling and installing.
2. Lay down the **front panel** facing 12.5 mm rebate upwards and glue **patterned inserts** (If available). There is the option to glue **back inserts** onto the back of the patterned ones according to your taste. Wait one hour to let the glue to dry properly. See **Diagram 1**.  
  
It is also optional to glue **the join covers** over the joints to give the back same appearance as the front.
3. Attach and glue the top panel to the two side ones together inserting and gluing the dowels into the 6 mm holes. See **Diagram 2**.
4. Attach the piece assembled in step 3 to the front pattern inserting and gluing the dowels into the 6 mm holes. See **Diagram 3**.

### TO INSTAL PELMET

5. Drill 12 mm holes in the wall evenly distributed horizontally on top of the curtain to fasten batten to the wall. See **Diagram 5**.
6. Fasten the pelmet to the wall by screwing the top to the battens using 2G x 35 mm screws.



**Diagram 4:**  
**Assembled pelmet**



**Diagram 5**