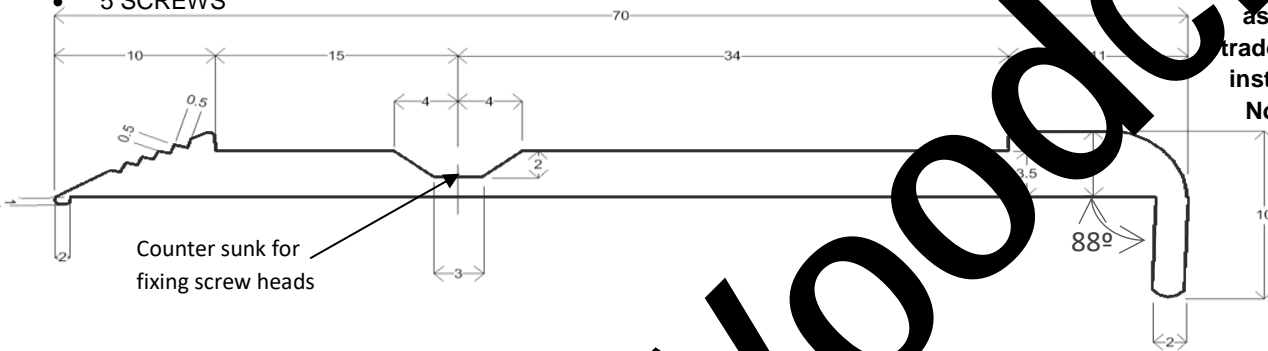


To comply with the building codes of Australia BCA 3.9.1.3(g)
BCA 3.9.1.3
 (g) Treads must have a non-slip finish or a suitable non-skid strip near the edge of the nosing.

We highly recommend the application of a non-slip finish (paint with sand grit) or the placement of a non-skid strip fitted to the top front edge of any Dressed All Round (DAR) smooth finished material being used as treads. As stated above in clause (g) of BCA 3.9.1.3 other applications to DAR treads are not acceptable

COMPONENTS INCLUDED

- ALUMINIUM NOSING 1160 mm long (To suit the 1200 mm kit)
- 1 NON-SLIP SELF-ADHESIVE TAPE IN YELLOW 48 x 1160 mm long and 1 NON-SLIP SELF ADHESIVE TAPE IN BLACK 48 x 1160 mm long to choose the colour for your preference
- 5 SCREWS



We highly recommend the assistance of a qualified tradesperson to perform the installation in some cases. Nosing must be fixed to stairs securely.

DEFINITIONS

- **TREADS:** The steps of the stairs.
- **ALUMINIUM NOSING:** Piece made from aluminium that is attached to the stairs and where the Non-slip Self-adhesive tape is attached.
- **NON-SLIP TAPE:** Grit self-adhesive tape in Black or yellow that is applied onto the Aluminium nosing to provide grip when stepping on stairs.
- **COUNTER SUNK:** 8 mm canal throughout the aluminium nosing where all the screw heads will be located.

TOOLS NEEDED TO PERFORM INSTALLATION:

- A drill with 3 mm Drill bit
- Phillip head screw driver
- Hacksaw required only if the aluminium nosing needs to be cut

STEPS

1. Cut the aluminium nosing to size (if required). Drill 3 mm holes through the aluminium nosing in the Counter Sunk area. No more than 50 mm from the ends then divide the rest of the space up with the remaining three screws. Maximum 265 mm space between screws (See *Diagram 1*).
3. Place Aluminium nosing on the front corner of the tread and attach it using the 3 mm screws (See *Diagram 2*).
4. Once aluminium nosing is secured with the screws, choose the tape (yellow or black) of your preference and cut it to size.
5. Place self-adhesive side of the tape onto the top of aluminium nosing and allow at least **one hour** before using the stairs to maximize adhesion (See *Diagram 3*).
6. Repeat the same process with every tread.

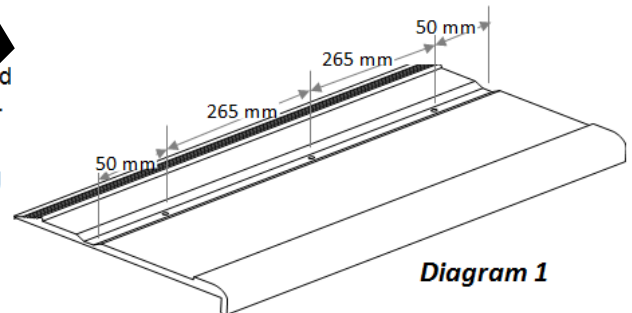
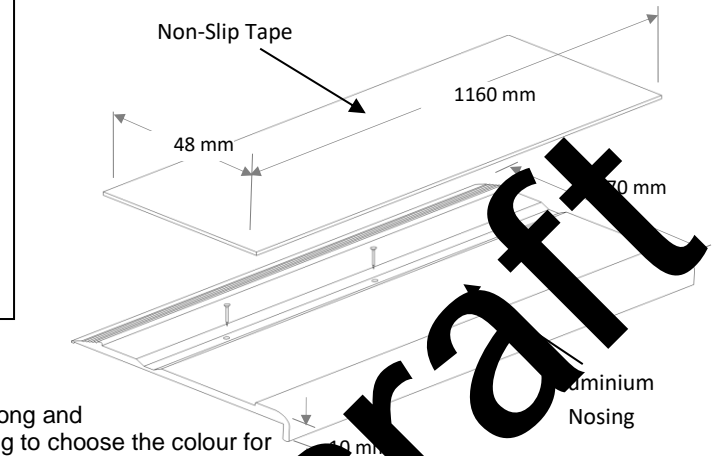


Diagram 1

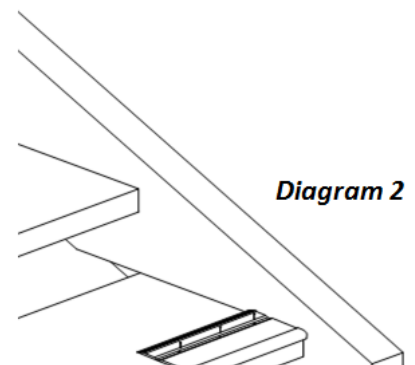


Diagram 2

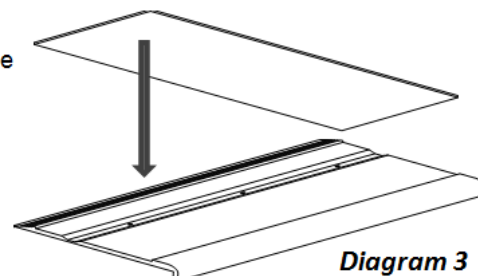


Diagram 3