

TOOLS NEEDED TO PERFORM ASSEMBLY:

- 12.5 mm or ½ inch Standard length Drill bit
- 5 mm Hex head bit
- 3 mm drill bit for pre-drilling for hard timbers only (E.g. Merbau)
- Two G-Clamps (Or One person to assist)
- 18 mm socket bit

STEPS:

Assembling Handrail Flight:

1. Place the posts on the ground with the surface with the removable hexagonal MDF packer facing upwards.
Note. Do not remove packer until handrail flight is attached to the stair.
2. Lay the Pre-assembled panel on top of the posts. (See *Diagram 1*)
3. Insert screws provided through the four upper holes of the panel aligning the tip of screws with the two 6 mm locating holes near the top of each post.
4. Using a drill with the 5 mm Hex head bit; tighten the four screws to secure panel to posts.
5. Once the screws in the top are tightened, insert screws into the four lower holes of the panel and tighten securely.

Diagram 1

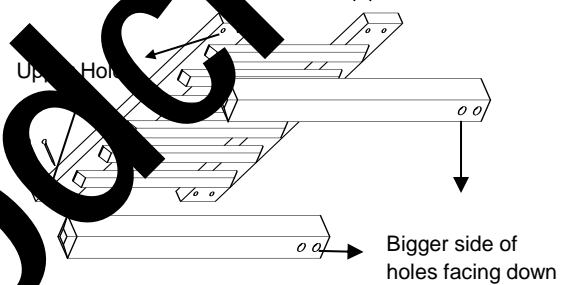
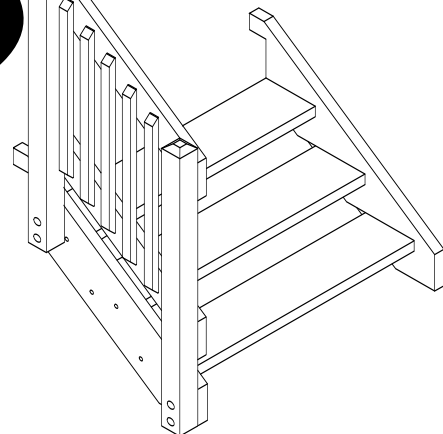


Diagram 2



Attaching Handrail Flight to stair:

6. Place Handrail Flight assembly on top of the stringer by resting the two hexagonal MDF packers on top of the stair stringer. (See *Diagram 2*)
7. Hold together the post and stringer placing a G-clamp on the bottom of each post. A second person can be used to help.
8. Place the 12 mm drill bit into each of the 4 pre-drilled holes at the bottom of the posts and drill all the way through the stringer.
9. Insert the four coach bolts into the holes previously drilled from the inside of the stringer and tighten the nuts on the outside of the post using the 18 mm socket bit. Do this in the two lower holes of each post (See *Diagram 3*).
10. Remove hexagonal MDF packers by using a large flat screw driver and push/hit them away from post.

Diagram 3

